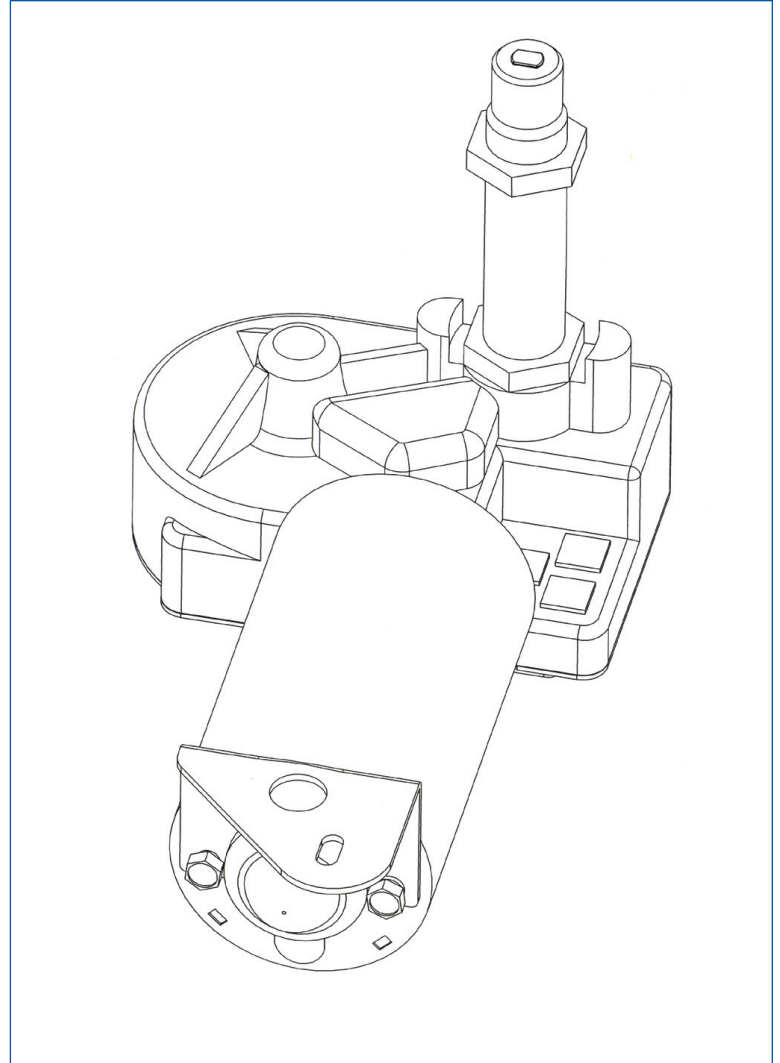


DESCRIPTION

The 11 series wiper motors have an internal linkage system allowing the shaft to oscillate with no external components, making the 11 series motors ideal for applications with space constraints. The mounting bracket is attached to the motor and only requires one 10 size screw for installation. All motors are field adjustable for parking (Clockwise or Counterclockwise) and wipe angle -45° , 65° , 85° , 110° . Some models have a built in rocker switch on the back plate to eliminate the need for a remote switch. Motors are CE approved.

FEATURES

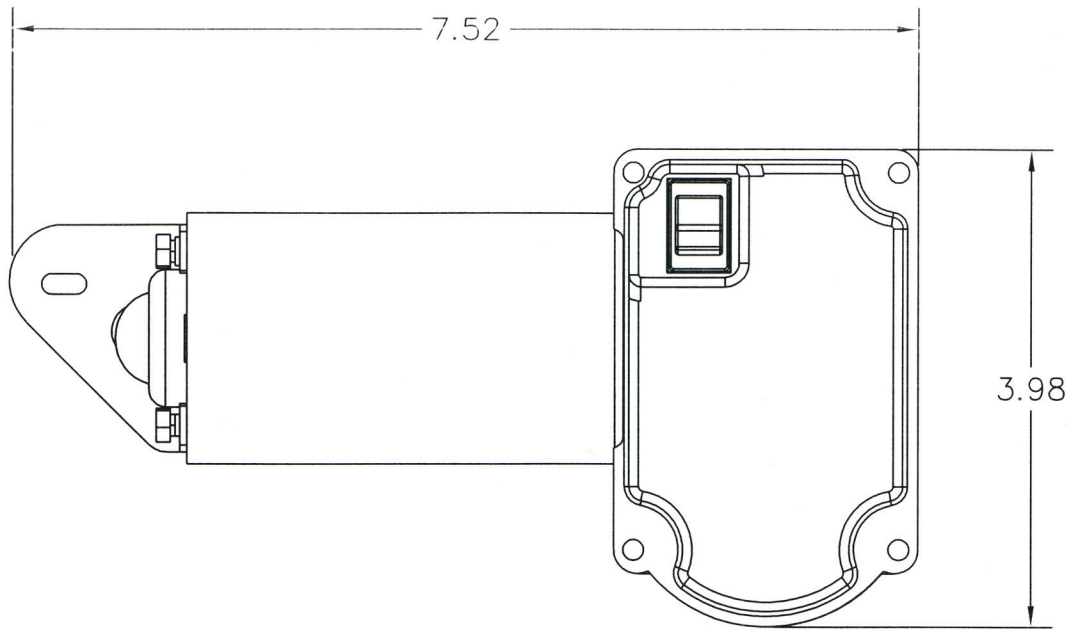
- ▶ Dual Speed Automatic
- ▶ Adjustable Wipe Angles
- ▶ Adjustable Park Position
- ▶ 12 and 24 Volt
- ▶ Built in Rocker Switch
- ▶ CE Approved
- ▶ Multiple Shaft Lengths
- ▶ Corrosive Resistant E-Coating / E-Coated Black Finish



Voltage	Description	Wipe Angle	Shaft Length
1 - 12 V	17 - 2 Speed CW	1 - 65	11 - 1"
2 - 24 V	18 - 2 Speed CCW	2 - 85	21 - 2"
	19 - 2 Speed integral rocker switch	6 - 45	31 - 3"
	20 - 2 Speed intergral rocker switch CW	7 - 110	

11 SERIES MOTOR


DIMENSIONS

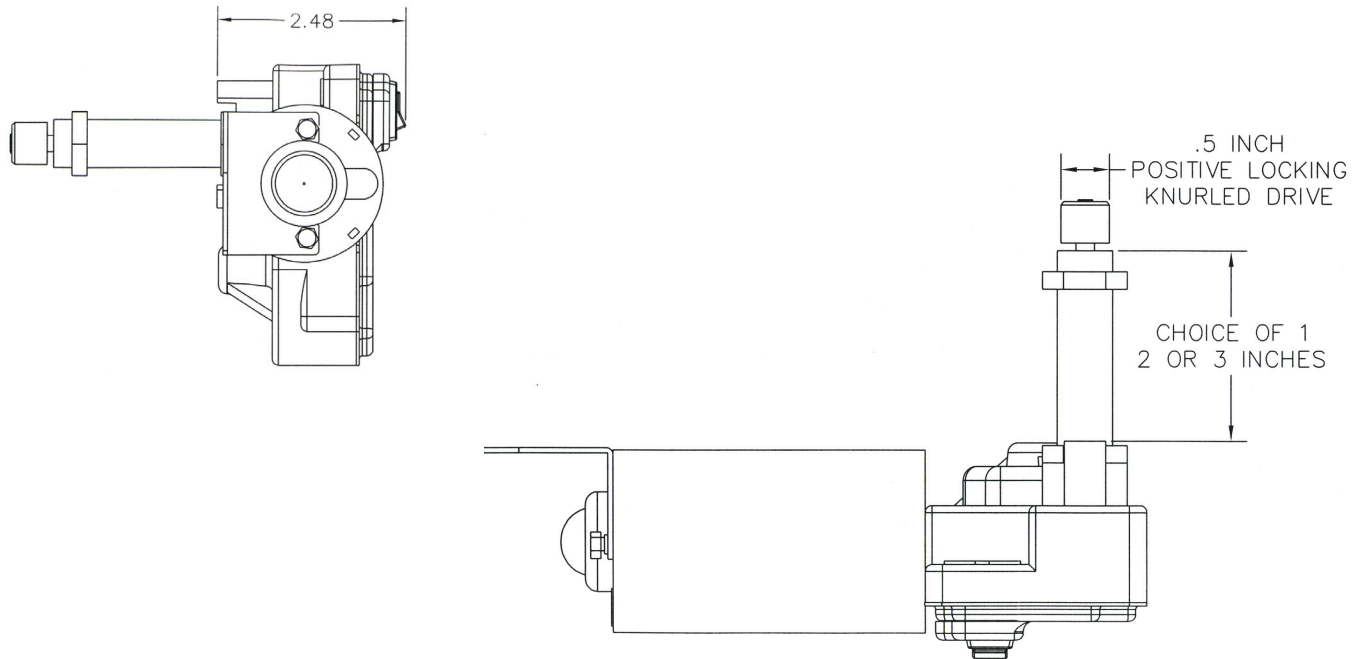


SPECIFICATIONS

Part Number	Voltage	Park Position	Shaft Length	Sweep Angle
11-117111	12	CW	1"	65
11-117121	12	CW	2"	65
11-117131	12	CW	3"	65
11-117211	12	CW	1"	85
11-117221	12	CW	2"	85
11-117231	12	CW	3"	85
11-117611	12	CW	1"	45
11-117621	12	CW	2"	45
11-117631	12	CW	3"	45
11-117711	12	CW	1"	110
11-117721	12	CW	2"	110
11-117731	12	CW	3"	110
11-118111	12	CCW	1"	65
11-118121	12	CCW	2"	65
11-118131	12	CCW	3"	65
11-118211	12	CCW	1"	85
11-118221	12	CCW	2"	85
11-118231	12	CCW	3"	85
11-118611	12	CCW	1"	45
11-118621	12	CCW	2"	45
11-118631	12	CCW	3"	45
11-118711	12	CCW	1"	110
11-118721	12	CCW	2"	110
11-118731	12	CCW	3"	110

Part Number	Voltage	Park Position	Shaft Length	Sweep Angle
11-119111	12	Switch CCW	1"	65
11-119121	12	Switch CCW	2"	65
11-119131	12	Switch CCW	3"	65
11-119211	12	Switch CCW	1"	85
11-119221	12	Switch CCW	2"	85
11-119231	12	Switch CCW	3"	85
11-119611	12	Switch CCW	1"	45
11-119621	12	Switch CCW	2"	45
11-119631	12	Switch CCW	3"	45
11-119711	12	Switch CCW	1"	110
11-119721	12	Switch CCW	2"	110
11-119731	12	Switch CCW	3"	110
11-120111	12	Switch CW	1"	65
11-120121	12	Switch CW	2"	65
11-120131	12	Switch CW	3"	65
11-120211	12	Switch CW	1"	85
11-120221	12	Switch CW	2"	85
11-120231	12	Switch CW	3"	85
11-120611	12	Switch CW	1"	45
11-120621	12	Switch CW	2"	45
11-120631	12	Switch CW	3"	45
11-120711	12	Switch CW	1"	110
11-120721	12	Switch CW	2"	110
11-120731	12	Switch CW	3"	110

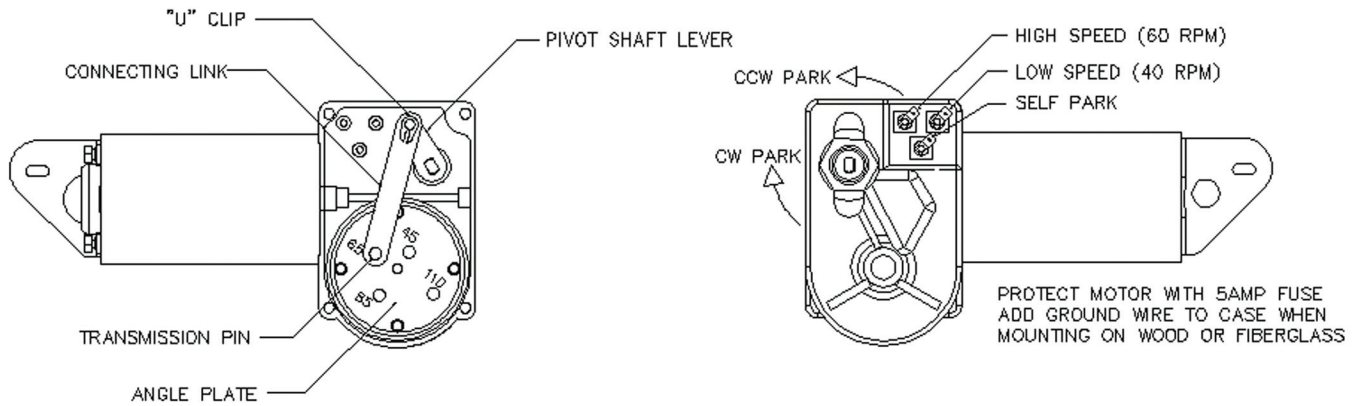
DIMENSIONS



SPECIFICATIONS

Part Number	Voltage	Park Position	Shaft Length	Sweep Angle
11-217111	24	CW	1"	65
11-217121	24	CW	2"	65
11-217131	24	CW	3"	65
11-217211	24	CW	1"	85
11-217221	24	CW	2"	85
11-217231	24	CW	3"	85
11-217611	24	CW	1"	45
11-217621	24	CW	2"	45
11-217631	24	CW	3"	45
11-217711	24	CW	1"	110
11-217721	24	CW	2"	110
11-217731	24	CW	3"	110
11-218111	24	CCW	1"	65
11-218121	24	CCW	2"	65
11-218131	24	CCW	3"	65
11-218211	24	CCW	1"	85
11-218221	24	CCW	2"	85
11-218231	24	CCW	3"	85
11-218611	24	CCW	1"	45
11-218621	24	CCW	2"	45
11-218631	24	CCW	3"	45
11-218711	24	CCW	1"	110
11-218721	24	CCW	2"	110
11-218731	24	CCW	3"	110

Part Number	Voltage	Park Position	Shaft Length	Sweep Angle
11-219111	12	Switch CCW	1"	65
11-219121	12	Switch CCW	2"	65
11-219131	12	Switch CCW	3"	65
11-219211	24	Switch CCW	1"	85
11-219221	24	Switch CCW	2"	85
11-219231	24	Switch CCW	3"	85
11-219611	24	Switch CCW	1"	45
11-219621	24	Switch CCW	2"	45
11-219631	24	Switch CCW	3"	45
11-219711	24	Switch CCW	1"	110
11-219721	24	Switch CCW	2"	110
11-219731	24	Switch CCW	3"	110
11-220111	24	Switch CW	1"	65
11-220121	24	Switch CW	2"	65
11-220131	24	Switch CW	3"	65
11-220211	24	Switch CW	1"	85
11-220221	24	Switch CW	2"	85
11-220231	24	Switch CW	3"	85
11-220611	24	Switch CW	1"	45
11-220621	24	Switch CW	2"	45
11-220631	24	Switch CW	3"	45
11-220711	24	Switch CW	1"	110
11-220721	24	Switch CW	2"	110
11-220731	24	Switch CW	3"	110



Change Wiping Angle & Parking

1. Remove cover plate with Phillips screwdriver.
2. Use a straight blade screw driver to remove "U" clip that connects the pivot shaft lever to the connecting link.
3. Lift the connecting link.
4. Unscrew the two screws fastening the angle plate to the white cogwheel. There are two oblong holes in the cogwheel.
5. If you want to change the "parking" position from CCW to CW rotate the angle plate 180 degrees and refasten the angle plate.
6. If you want to change the "wiping angle" align the angle plate hole with the desired sweep angle to the oblong hole on the cogwheel and screw the angle plate back.
7. Refasten the connecting link using the "U" clip and lubricate linkage if necessary.

Mounting & Wiring

1. Locate proper mounting position of wiper assembly
Distance between shaft hole and mounting bracket is 6.25" (159mm)
2. Drill a .625 (16mm) diameter or slightly larger hole for the pivot shaft then drill the hole for the mounting bracket.
A number 10-size screw (not supplied) is needed for the mounting bracket.
3. The wiper motor may now be placed in position and attach the washers and nut. The nut should be tightened to 30-50 inch lbs. Caution: do not over tighten.
4. Wire motor from switch per diagram.