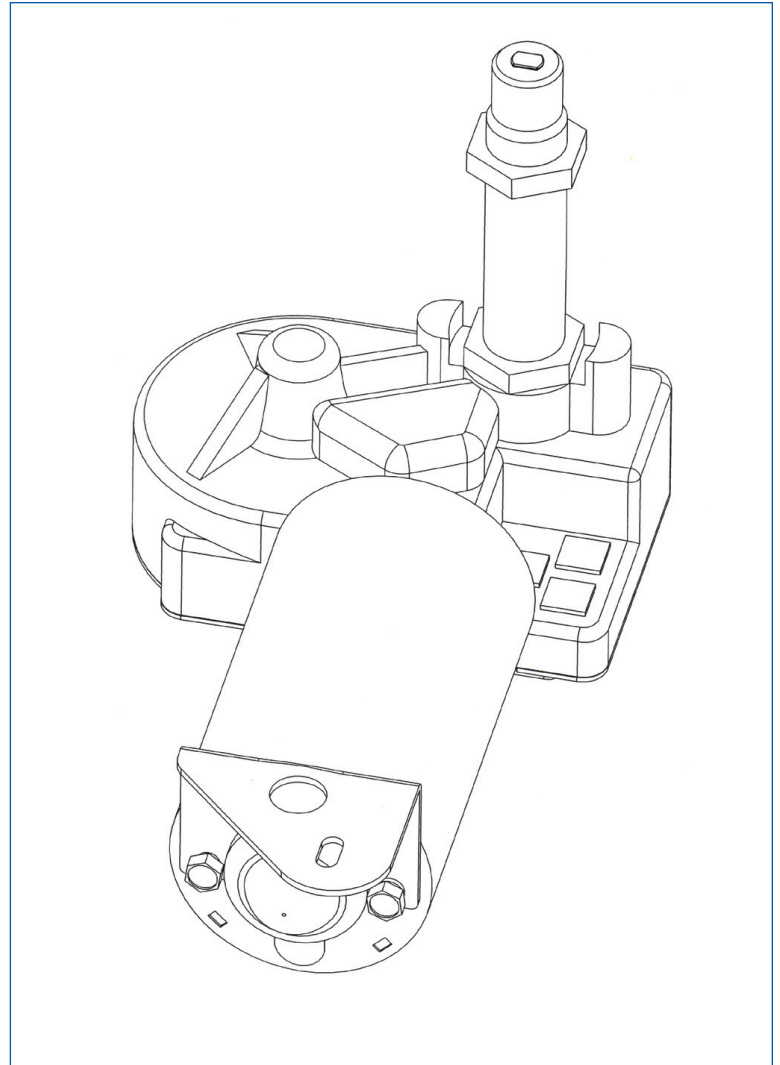


DESCRIPTION

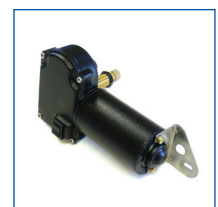
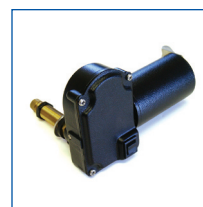
The 11 series wiper motors have an internal linkage system allowing the shaft to oscillate with no external components, making the 11 series motors ideal for applications with space constraints. The mounting bracket is attached to the motor and only requires one 10 size screw for installation. All motors are field adjustable for parking (Clockwise or Counterclockwise) and wipe angle -45° , 65° , 85° , 110° . Some models have a built in rocker switch on the back plate to eliminate the need for a remote switch. Motors are CE approved. Stall torque is 85 in. lbs.

FEATURES

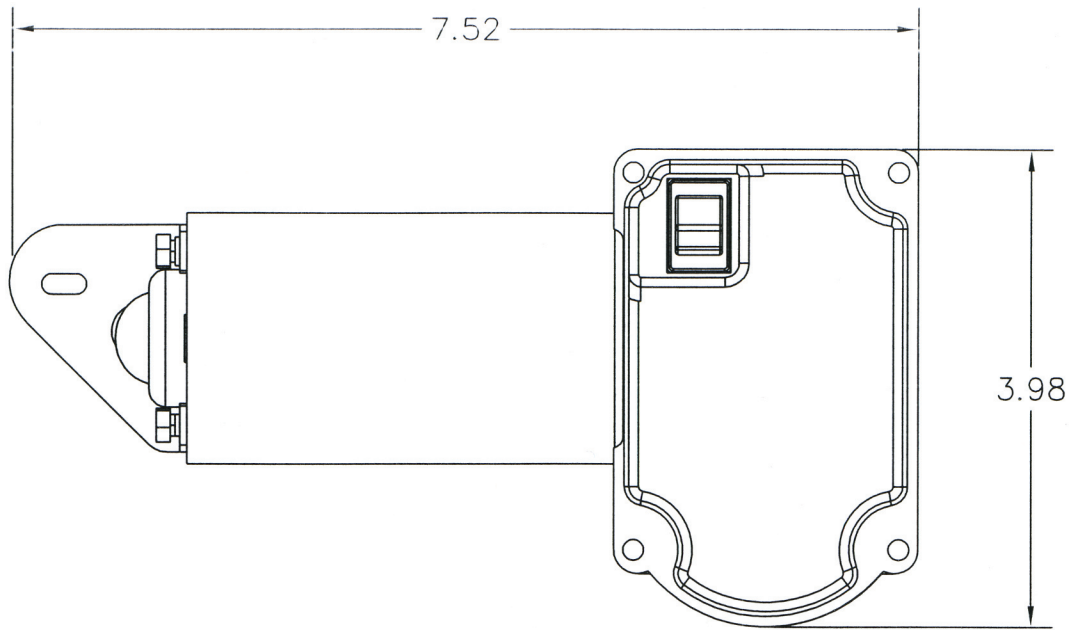
- ▶ Dual Speed Automatic
- ▶ Adjustable Wipe Angles
- ▶ Adjustable Park Position
- ▶ 12 and 24 Volt
- ▶ Built in Rocker Switch
- ▶ CE Approved
- ▶ Multiple Shaft Lengths
- ▶ Corrosive Resistant E-Coating / E-Coated Black Finish



Voltage	Description	Wipe Angle	Shaft Length
1 - 12 V	17 - 2 Speed CW	1 - 65	10 - 1"
2 - 24 V	18 - 2 Speed CCW	2 - 85	20 - 2"
	19 - 2 Speed integral rocker switch	6 - 45	30 - 3"
	20 - 2 Speed intergral rocker switch CW	7 - 110	

11 SERIES MOTOR


DIMENSIONS

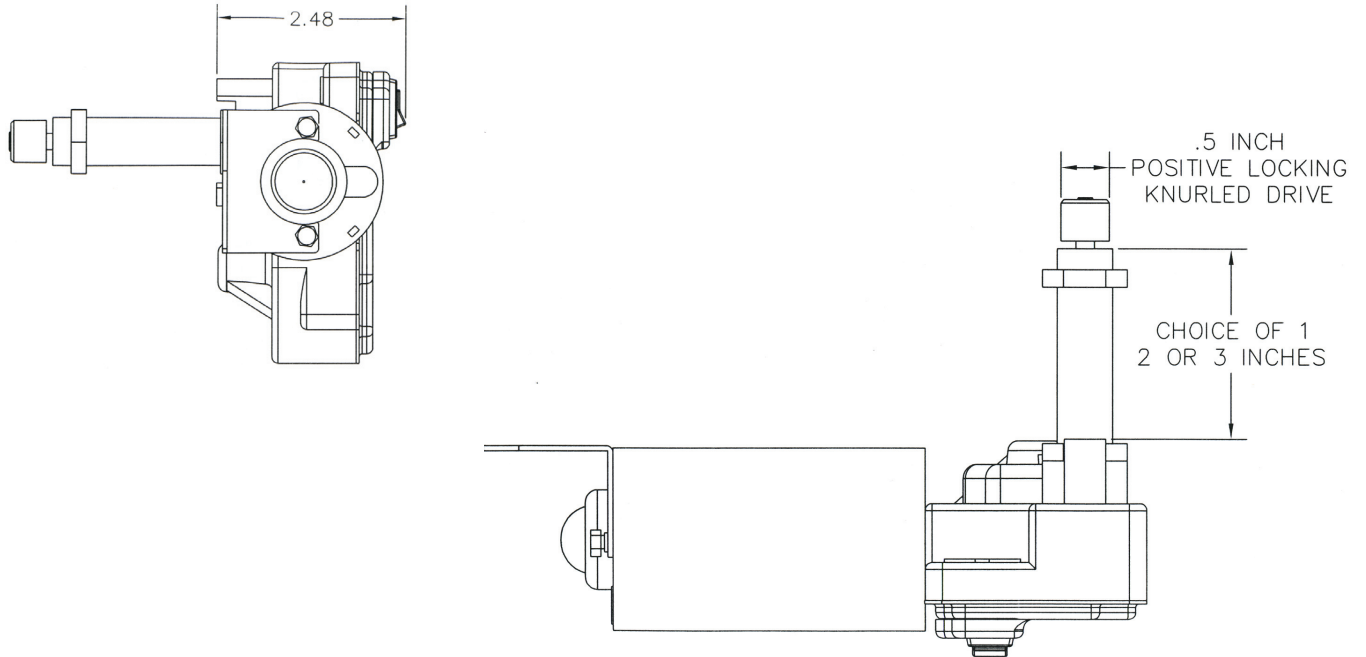


SPECIFICATIONS

Part Number	Voltage	Park Position	Shaft Length	Sweep Angle
11-117110	12	CW	1"	65
11-117120	12	CW	2"	65
11-117130	12	CW	3"	65
11-117210	12	CW	1"	85
11-117220	12	CW	2"	85
11-117230	12	CW	3"	85
11-117610	12	CW	1"	45
11-117620	12	CW	2"	45
11-117630	12	CW	3"	45
11-117710	12	CW	1"	110
11-117720	12	CW	2"	110
11-117730	12	CW	3"	110
11-118110	12	CCW	1"	65
11-118120	12	CCW	2"	65
11-118110	12	CCW	3"	65
11-118210	12	CCW	1"	85
11-118220	12	CCW	2"	85
11-118230	12	CCW	3"	85
11-118610	12	CCW	1"	45
11-118620	12	CCW	2"	45
11-118630	12	CCW	3"	45
11-118710	12	CCW	1"	110
11-118720	12	CCW	2"	110
11-118730	12	CCW	3"	110

Part Number	Voltage	Park Position	Shaft Length	Sweep Angle
11-119110	12	Switch CCW	1"	65
11-119120	12	Switch CCW	2"	65
11-119130	12	Switch CCW	3"	65
11-119210	12	Switch CCW	1"	85
11-119220	12	Switch CCW	2"	85
11-119230	12	Switch CCW	3"	85
11-119610	12	Switch CCW	1"	45
11-119620	12	Switch CCW	2"	45
11-119630	12	Switch CCW	3"	45
11-119710	12	Switch CCW	1"	110
11-119720	12	Switch CCW	2"	110
11-119730	12	Switch CCW	3"	110
11-120110	12	Switch CW	1"	65
11-120120	12	Switch CW	2"	65
11-120130	12	Switch CW	3"	65
11-120210	12	Switch CW	1"	85
11-120220	12	Switch CW	2"	85
11-120230	12	Switch CW	3"	85
11-120610	12	Switch CW	1"	45
11-120620	12	Switch CW	2"	45
11-120630	12	Switch CW	3"	45
11-120710	12	Switch CW	1"	110
11-120720	12	Switch CW	2"	110
11-120730	12	Switch CW	3"	110

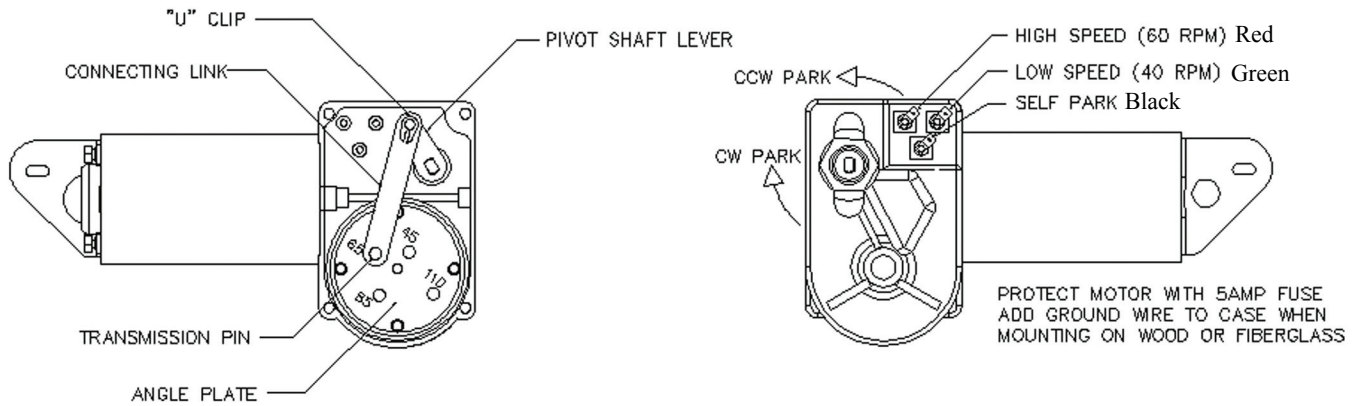
DIMENSIONS



SPECIFICATIONS

Part Number	Voltage	Park Position	Shaft Length	Sweep Angle
11-217110	24	CW	1"	65
11-217120	24	CW	2"	65
11-217130	24	CW	3"	65
11-217210	24	CW	1"	85
11-217220	24	CW	2"	85
11-217230	24	CW	3"	85
11-217610	24	CW	1"	45
11-217620	24	CW	2"	45
11-217630	24	CW	3"	45
11-217710	24	CW	1"	110
11-217720	24	CW	2"	110
11-217730	24	CW	3"	110
11-218110	24	CCW	1"	65
11-218120	24	CCW	2"	65
11-218130	24	CCW	3"	65
11-218210	24	CCW	1"	85
11-218220	24	CCW	2"	85
11-218230	24	CCW	3"	85
11-218610	24	CCW	1"	45
11-218610	24	CCW	2"	45
11-218630	24	CCW	3"	45
11-218710	24	CCW	1"	110
11-218720	24	CCW	2"	110
11-218730	24	CCW	3"	110

Part Number	Voltage	Park Position	Shaft Length	Sweep Angle
11-219110	24	Switch CCW	1"	65
11-219120	24	Switch CCW	2"	65
11-219130	24	Switch CCW	3"	65
11-219210	24	Switch CCW	1"	85
11-219220	24	Switch CCW	2"	85
11-219230	24	Switch CCW	3"	85
11-219610	24	Switch CCW	1"	45
11-219620	24	Switch CCW	2"	45
11-219630	24	Switch CCW	3"	45
11-219710	24	Switch CCW	1"	110
11-219720	24	Switch CCW	2"	110
11-219730	24	Switch CCW	3"	110
11-220110	24	Switch CW	1"	65
11-220120	24	Switch CW	2"	65
11-220130	24	Switch CW	3"	65
11-220210	24	Switch CW	1"	85
11-220220	24	Switch CW	2"	85
11-220230	24	Switch CW	3"	85
11-220610	24	Switch CW	1"	45
11-220620	24	Switch CW	2"	45
11-220630	24	Switch CW	3"	45
11-220710	24	Switch CW	1"	110
11-220720	24	Switch CW	2"	110
11-220730	24	Switch CW	3"	110



Change Wiping Angle & Parking

1. Remove cover plate with Phillips screwdriver.
2. Use a straight blade screw driver to remove "U" clip that connects the pivot shaft lever to the connecting link.
3. Lift the connecting link.
4. Unscrew the two screws fastening the angle plate to the white cogwheel. There are two oblong holes in the cogwheel.
5. If you want to change the "parking" position from CCW to CW rotate the angle plate 180 degrees and refasten the angle plate.
6. If you want to change the "wiping angle" align the angle plate hole with the desired sweep angle to the oblong hole on the cogwheel and screw the angle plate back.
7. Refasten the connecting link using the "U" clip and lubricate linkage if necessary.

Mounting & Wiring

1. Locate proper mounting position of wiper assembly
Distance between shaft hole and mounting bracket is 6.25" (159mm)
2. Drill a .625 (16mm) diameter or slightly larger hole for the pivot shaft then drill the hole for the mounting bracket.
A number 10-size screw (not supplied) is needed for the mounting bracket.
3. The wiper motor may now be placed in position and attach the washers and nut. The nut should be tightened to 30-50 inch lbs. Caution: do not over tighten.
4. Wire motor from switch per diagram.